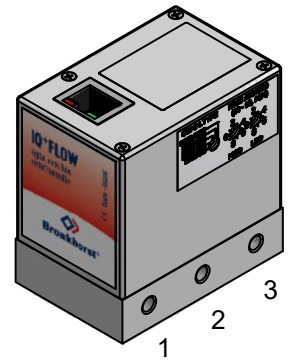
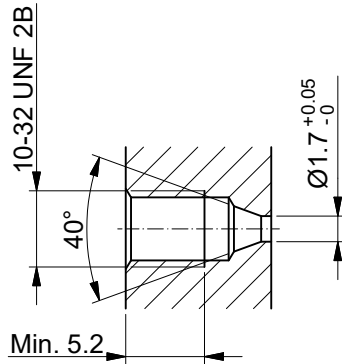
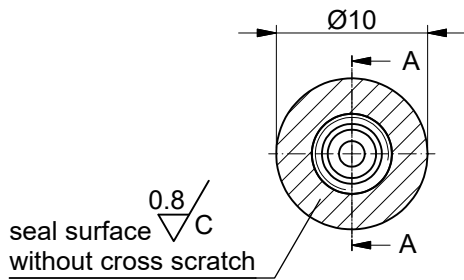
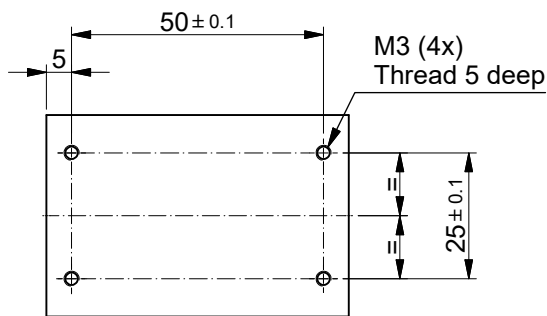
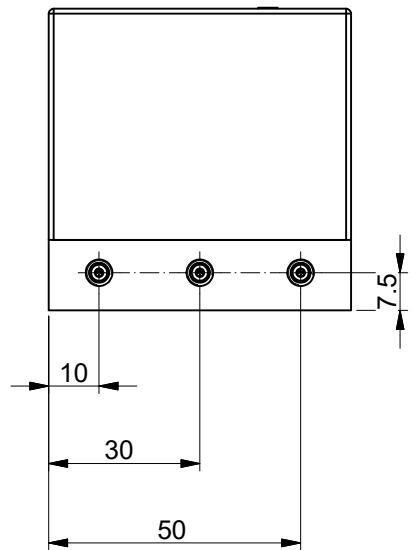
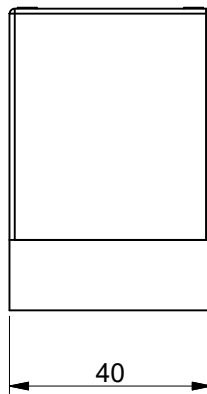
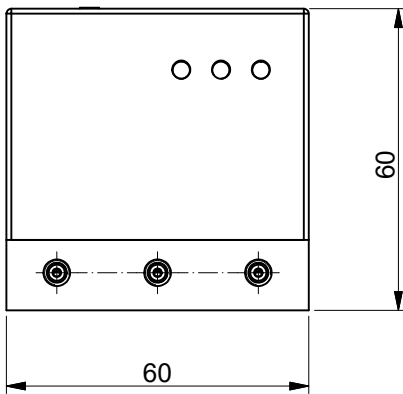


In- and outlet connections (2 : 1)



(1 : 2)



For all series:

When using adapters total length = 40 + (2 x A)

*) Dimension A is typical finger-tight.

Adapter 1/16"	Adapter 1/16"	Adapter 1/8"
A* = 8	A* = 16.5	A* = 21

Dimensions subject to change without notice.

Tolerances ± 0.2 unless otherwise mentioned

Title: Dimensional drawing IQM3	Projection: Third Angle	Drawer : R.G. Date: 26-05-2009	Revision Description: Rebranding Bronkhorst.		
		Checked : J.E. Date: 23-11-2016	Rev. by: R.Ge	Scale: 2:3	A4
WWW.BRONKHORST.COM	Dimensions: Metric (mm)	Drawing no.: 7.05.760	Rev.: E	Page: 1-1	